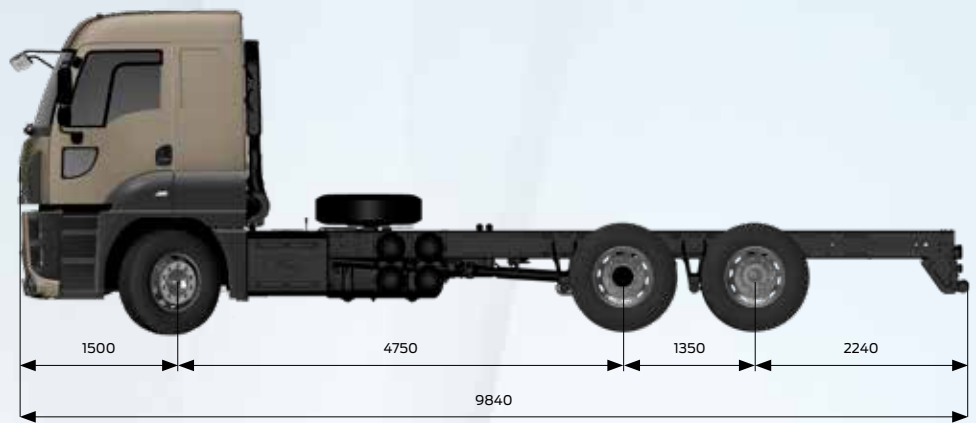
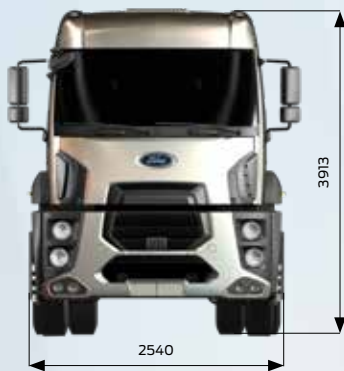


FORD TRUCKS 2642T HR EURO6



Basic Features

Vehicle Type	Road Truck - Full Trailer
Axle	6x2
Emission	Euro 6
Cabin Type	High Roof Sleeper Cab
Wheelbase (mm)	4750

Engine

Type	Ecotorq 12,7 litre
Displacement (cc)	12740
Diameter x Stroke	130 mm x 160 mm
Power	420 PS (308,9 kW) / 1800 rpm
Torque	2150 Nm / 1000-1300 rpm
Compression Ratio	17 +/- 0,5 : 1
Oil Filling Volume	50 L
Coolant Volume	37 L (57 L with Intarder)

Transmission

Clutch	430 mm Single Disc
Automated Transmission / Ratios (1. gear - 12. gear)	ZF 12 TX 2210 (16,688 - 1)

Steering

Power assisted single circuit

Chassis

Chassis Thickness	7 mm with Reinforcement
Chassis Strength	500 MPa
Suspension (Front/Rear)	Parabolic Leaf Spring / Air Suspension
Axle	Standard Single Reduction
Axle Ratio	2,47
Tyres (Front/Rear)	315/70 R 22,5
Wheel Rim	22,5 x 9 Steel

Braking System

Brakes (Front/Rear) (Ø.mm x mm. Length)	430 x 45 mm - Disc Brake
Braking System	Dual Brake Circuit - Air Processing Unit with Integrated Oil Separator and Heater
Engine Brake Power	max. 340 kW (Engine Level)
Intarder Power	max. 600 kW / continuous 160 kW

Electrical System

Battery	180 Ah
Alternator / Starter Motor	130 A / 6,5 kW

Tanks

Fuel Tank	480 lt Aluminium
SCR Tank	55 L

Dimensions (mm)	
Front Overhang	1500
Wheelbase	4750
Overall Length	9840
Distance Between 2 nd and 3 th Wheel Centers	1350
Overall Cab Length	2590
Overall Vehicle Height	3913
Overall Vehicle Width (Excluding Mirrors)	2540
Chassis Width	866
Rear Overhang	2240
Useful Chassis Length	7105
Chassis Height - Front	225
Chassis Height - Rear	285
Ground Clearance - Front	385
Ground Clearance - Rear	274
Turning Radius	10140

Weights (kg)	1. Axle	2. Axle	3. Axle	Total
Technically Permissible Weights	7150	11500	7500	26000
Kerb Weight	5435	1973	1343	8751
Payload	1715	9527	6157	17249
GVM (Legal)	7150	11500	7500	26000
GTM				40000

STANDARD EQUIPMENT

- Air Conditioner
- Radio/CD/MP3 Player
- Cruise Control
- Disc Brake
- Engine Brake
- Electronic Brake System (EBS) including Anti-lock Brake System (ABS)
- Electronic Stability Control (ESP)
- Advanced Emergency Brake System (AEBS)
- Lane Departure Warning System (LDWS)
- Rear Air Suspension
- Air Suspended Cab
- Automated Transmission (With Different Usage Modes)
- Electrically Operated Windows
- Electrically Operated Headlight Levelling
- Electrically Operated and Heated Side Mirrors
- Hill Launch Assist
- Spare Wheel
- Manually Operated Sunroof
- Heated and Air Suspended Driver Seat
- Lumbar Support
- Rake and Reach Adjustable Steering Column
- Front Fog Lamps
- Immobilizer
- Single Key with Remote Control and Central Locking
- Home Safe Light
- Approach Light
- Brake Lining Wear Sensor
- Digital Tachograph
- Tag Axle Lifting (with Auto Drop Function)
- Differential lock
- Full Trailer Application
- Switcable Air Compressor (for improved fuel economy)
- Dry Type Cab Heater
- Rain Sensor
- Auto Light Sensor
- Axle Load Indicator
- Spoiler
- Trailer Towing Hitch

OPTIONAL EQUIPMENT

- Transmission Driven PTO & Interior Control Unit
- Intarder
- ADR Pack
- Cold Climate Pack
- Auxiliary Cabin Heater (Wet Type)
- Firefighter Pack
- Power Cab Tilting
- Metallic Paint/Special Colors
- 5500 Wheelbase Option
- 550 L Aluminium Fuel Tank with 55 L SCR Tank
- 315/80 R 22,5 Tyre Option
- 315/60 R 22,5 Tyre Option

* Only available with Firefighter Pack

This leaflet includes products designed for Ford vehicles. It provides information about the current technical specifications and the standard or optional accessories available as of the date it was issued. Features of standard and optional accessories of the vehicles may be changed from time to time. For this reason, please consult our Authorized Dealers to obtain updated and accurate information on the features of the vehicle you wish to buy. For the aforementioned reason, this leaflet does not constitute an assurance as to the specifications listed herein. The images used in this leaflet may be different from the vehicles on sale. The technical specifications provided herein are for standard vehicles. Selection of any optional accessories might cause differences from these specifications.